

ROLLER TILT® 880

MOVING COIL
SYSTEM



3/4" CONSTANT FORCE SPRING FOR TILT APPLICATIONS

PATENTED MOVING COIL SYSTEM
LOWER OPERATING FORCE; LESS NOISE

USER FRIENDLY
SIMPLE SASH INSTALLATION
SAFE SASH CLEANING

BALANCE CAPACITY UP TO A 72 LB SASH
EASILY ADAPTS TO TRIPLE GLAZING
SUITABLE FOR IMPACT AND MONUMENTAL
SASH APPLICATIONS

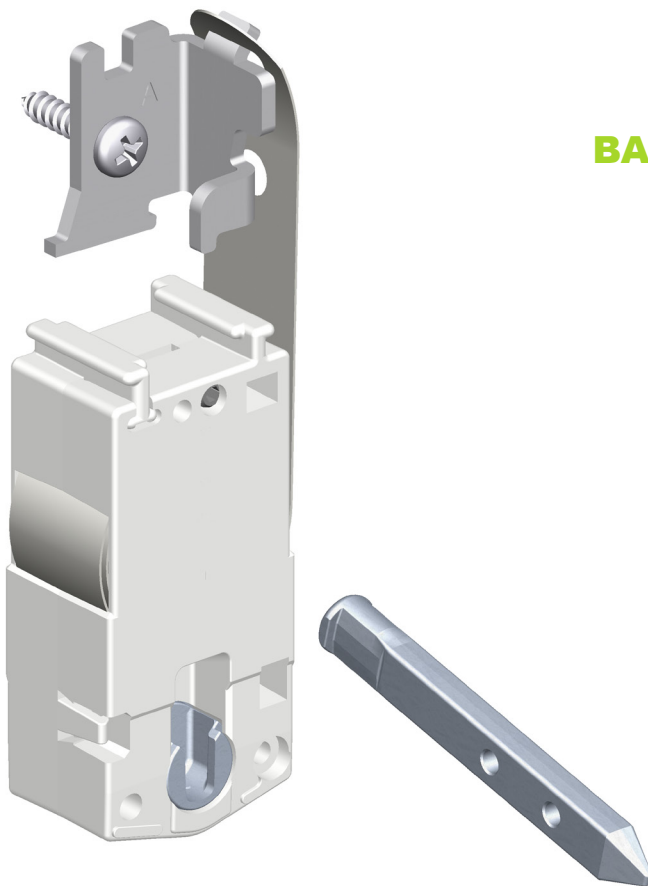
ROBUST DROP-IN CAM
ACCEPTS A TIE-IN PIVOT BAR
EXCELLENT STRUCTURAL PERFORMANCE

NO INTERFERENCE WITH TILT LATCH
EASILY SATISFIES EGRESS REQUIREMENTS

PRE-ASSEMBLED
REDUCES ASSEMBLY TIME

**BALANCES ARE APPLIED BASED ON
WEIGHT RANGE ONLY**
REDUCED SKU'S AND LOWER COSTS

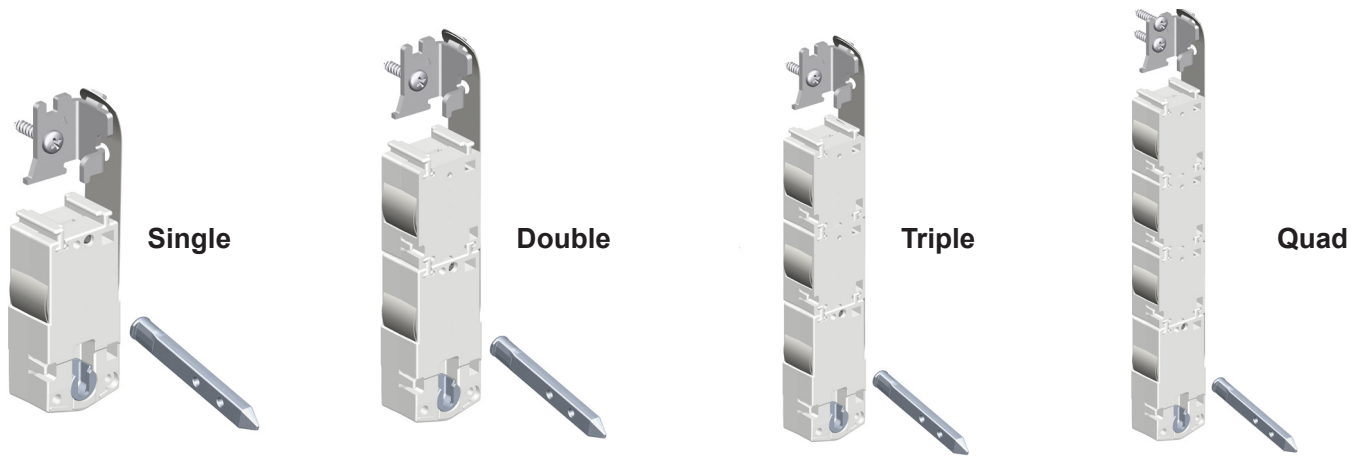
STAINLESS STEEL SPRINGS
COATED FOR LOW FRICTION AND CORROSION
RESISTANCE



WEIGHT RANGES: 4-72 LBS

**AAMA 902-07 CLASS 3
VERIFIED COMPONENT**

Solutions That Set New Standards



ROLLER TILT® 880 WEIGHT CAPACITY CHART

Balance	Sash Weight Range* (lbs)	
	Min	Max
R/T 880 Assembly A	4.00	6.99
R/T 880 Assembly B	7.00	8.99
R/T 880 Assembly C	9.00	10.99
R/T 880 Assembly D	11.00	12.99
R/T 880 Assembly E	13.00	14.99
R/T 880 Assembly F	15.00	16.99
R/T 880 Assembly G	17.00	20.99
R/T 880 Assembly H	21.00	24.99
R/T 880 Assembly EE	25.00	28.99
R/T 880 Assembly FF	29.00	32.99
R/T 880 Assembly NF	33.00	36.99
R/T 880 Assembly NG	37.00	40.99
R/T 880 Assembly FEE	41.00	44.99
R/T 880 Assembly FFF	45.00	48.99
R/T 880 Assembly PFF	49.00	52.99
R/T 880 Assembly PNF	53.00	56.99
R/T 880 Assembly PNG	57.00	60.99
R/T 880 Assembly PNED	61.00	64.99
R/T 880 Assembly PNFE	65.00	68.99
R/T 880 Assembly PNGE	69.00	72.99

* Each Sash Requires Two Balance Assemblies

HOW TO ORDER:

Please use the chart above to help you in choosing the correct part to order:

1. Determine your sash weight
2. Locate proper balance assembly utilizing the ROLLER TILT® 880 weight capacity chart
3. Example:

15 lbs	31 lbs	70 lbs
F Assembly	FF Assembly	PNGE Assembly