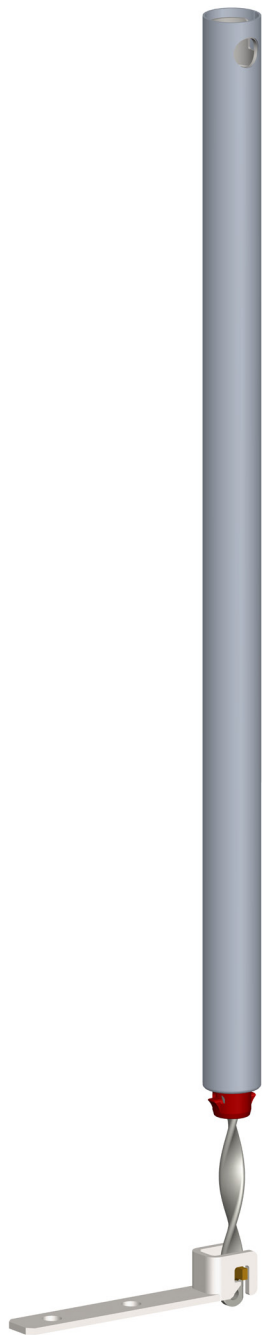


5/8" SPIRAL BALANCE MADE FOR NON-TILT RESIDENTIAL & COMMERCIAL WINDOWS.



SMOOTH, UNIFORM OPERATING FORCE
*THIS TECHNOLOGY PROVIDES CONSISTENT, UNIFORM
OPERATION THROUGHOUT THE FULL TRAVEL RANGE OF THE
SASH*

BROAD ADJUSTABLE WEIGHT RANGES

*REDUCE INVENTORY REQUIREMENTS
FINE TUNE WINDOW PERFORMANCE
FIELD ADJUSTABLE*

PERFORMANCE TO AAMA CLASS 2

BALANCE PROVIDES A MINIMUM OF 40% LIFT ASSISTANCE

SPRINGS BY CALDWELL

*DELIVERS HIGH QUALITY, CONSISTENT
PERFORMANCE*

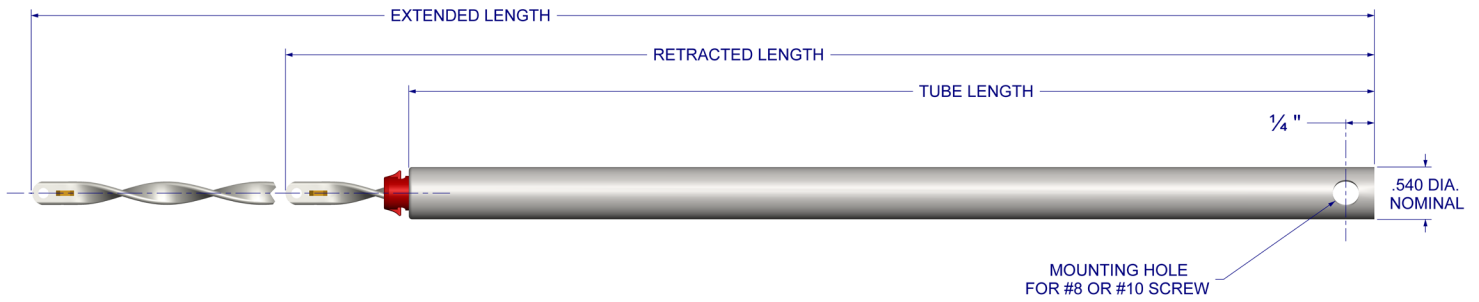
LASER WELDED ALUMINUM TUBES

PROVIDE STRUCTURAL STRENGTH AND DURABILITY

WIDE RANGE OF HARDWARE OPTIONS FOR SASH ATTACHMENT

*COMPATIBLE WITH A WIDE VARIETY OF
CALDWELL BRACKETS AND CLIPS
EASILY UTILIZED IN ALUMINUM AND WOOD
WINDOW APPLICATIONS*

**WEIGHT RANGES: 4 - 40 LBS
LENGTHS: 7 - 51 INCHES
AAMA 902-07 CLASS 2
VERIFIED COMPONENT**



SPIREX® WEIGHT CAPACITY CHART

TUBE LENGTH (INCHES)	SASH WEIGHTS SUPPORTED (LBS)
7	4 - 24
8	4 - 25
9 - 14	4 - 26
15 - 16	4 - 28
17	4 - 40
18 - 22	6 - 40
23 - 32	7 - 40
33 - 45	12 - 40
46 - 47	14 - 40
48 - 49	16 - 40
50 - 51	18 - 40

HOW TO ORDER:

1. Determine your sash weight and tube length needed
2. Consult with Customer Service for tensioning charts and further ordering instructions.