

# SPIRO-MITE®

## **3/8" SPIRAL BALANCE MADE FOR NON-TILT RESIDENTIAL & COMMERCIAL WINDOWS.**



**SMOOTH, UNIFORM OPERATING FORCE**  
*PROVIDES CONSISTENT, UNIFORM OPERATION THROUGHOUT  
THE FULL TRAVEL RANGE OF THE SASH*

**BROAD ADJUSTABLE WEIGHT RANGES**  
*REDUCE INVENTORY REQUIREMENTS  
FINE TUNE WINDOW PERFORMANCE  
FIELD ADJUSTABLE*

**POWERFUL SPRING CAPACITY, IN A SLIM DESIGN**  
*FITS INTO THE MOST ECONOMICAL ALUMINUM WINDOW DESIGNS*

**SPRINGS BY CALDWELL**  
*DELIVERS HIGH-QUALITY, CONSISTENT PERFORMANCE.*

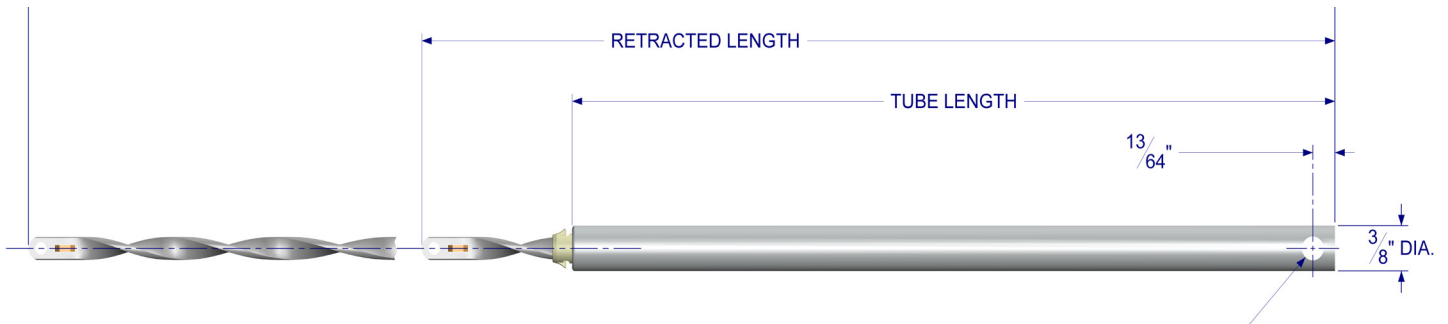
**GALVANIZED STEEL TUBES**  
*PROVIDES STRUCTURAL STRENGTH AND DURABILITY*

**WIDE RANGE OF HARDWARE OPTIONS FOR SASH  
ATTACHMENT**  
*EASILY ADAPTS TO MOST POPULAR NON-TILT ALUMINUM  
WINDOW DESIGNS*

**PRE-TENSIONED OPTIONS**  
*BALANCES CAN BE ORDERED WITH TURNS APPLIED  
TO EXPEDITE INSTALLATION*

**WEIGHT RANGES: 4 - 42 LBS  
LENGTHS: 7 - 45 INCHES  
AAMA 902-07 CLASS 2  
VERIFIED COMPONENT**

*Solutions That Set New Standards*



## SPIROMITE® WEIGHT CAPACITY CHART

TUBE LENGTH (INCHES)	SASH WEIGHTS SUPPORTED (LBS)
7 - 9	8 - 17
10	4 - 17
11 - 12	4 - 20
13	4 - 22
14 - 16	4 - 24
17 - 19	4 - 34
20 - 32	5 - 34
33 - 40	7 - 34
41 - 45	27 - 34

### HOW TO ORDER:

1. Determine your sash weight and tube length needed
2. Consult with Caldwell customer service for tensioning charts and further ordering instructions.