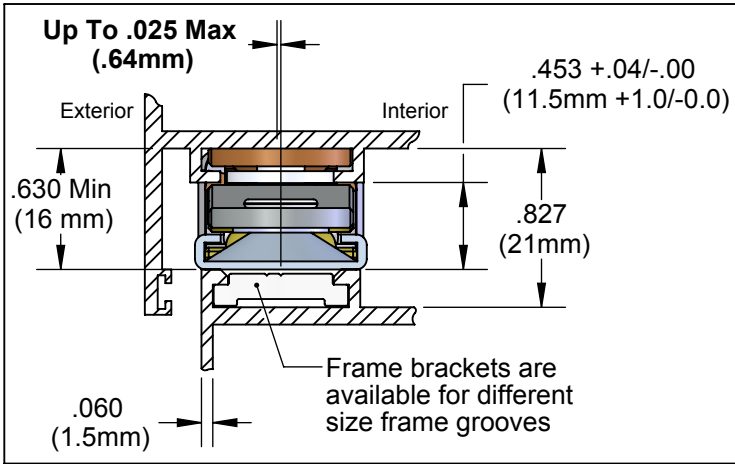


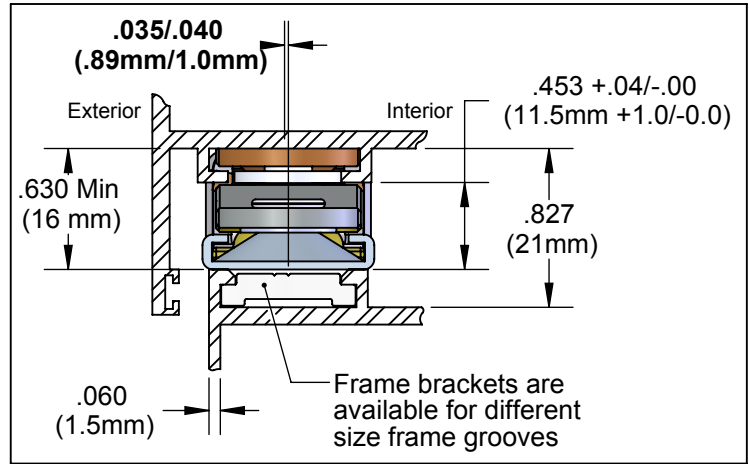
MAGNUM™ Hinges

(Ezi 10" CSMT Euro Groove Assembly)

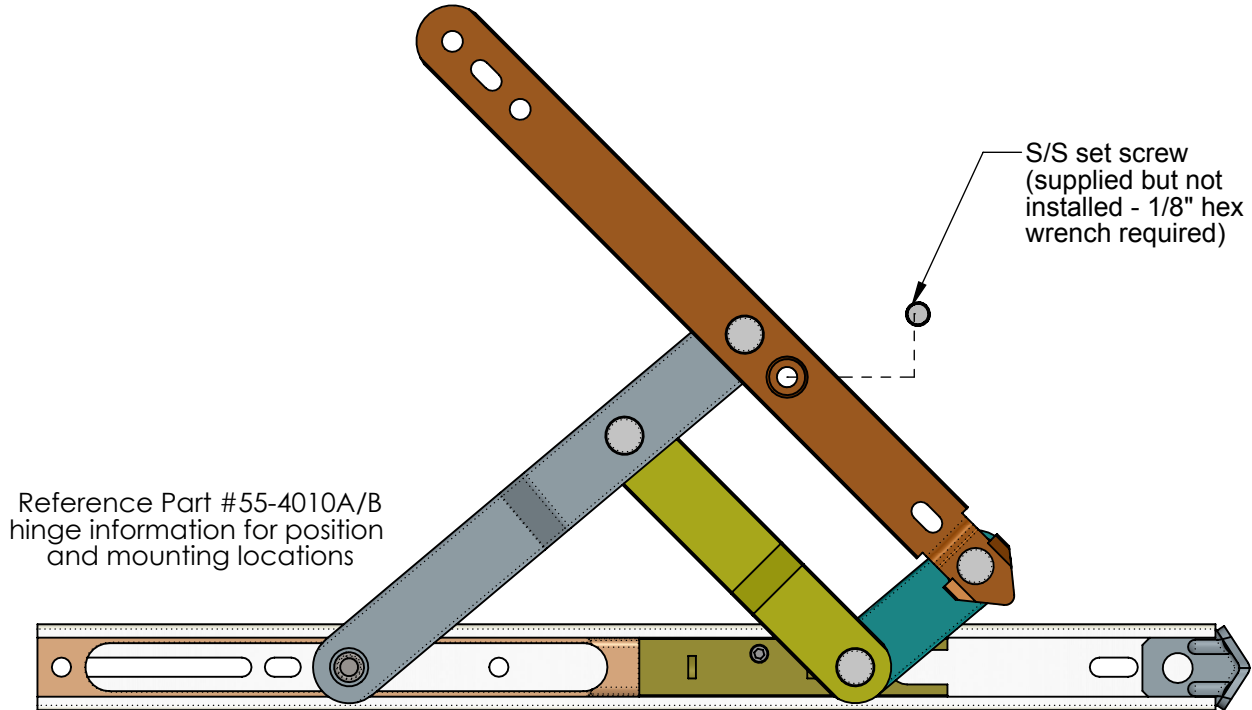
Type 1 Eurogroove with .025 offset
40B2001 EZi Hinges (Groove A)



Type 1 Eurogroove with .040 offset
40B2003 Offset EZi Hinges (Groove B)



EZi 10" Casement Hinge Euro Groove Assembly



Part#	Type	Size	Vent Height	Vent Weight	Max Opening
40B2001	Inline	10" (254mm)	12.8 - 27.375 (325mm-695mm)	76 lbs (34.4 kg)	45°
40B2003	Offset	10" (254mm)	12.8 - 27.375 (325mm-695mm)	76 lbs (34.4 kg)	45°

Tensions Available: Architectural, commercial and loose rivet.

Hinge Mounting: Use #10 or M5 stainless steel pan head screws.

Hinge Capacity: Vent size and weight should not exceed the stated capacity of the hinge.

Opening Degree: For vents in high winds, severely limited opening or limited for life safety, the use of additional Limit/Friction Devices may be required (ex: 177, 419, 716).

ADVANTAGE™ MANUFACTURING

A Division of Caldwell Mfg Co

Phone: (585) 352-3790

Fax: (585) 352-3792

web: www.caldwellmfgco.com

email: CSERVICE@caldwellmfgco.com