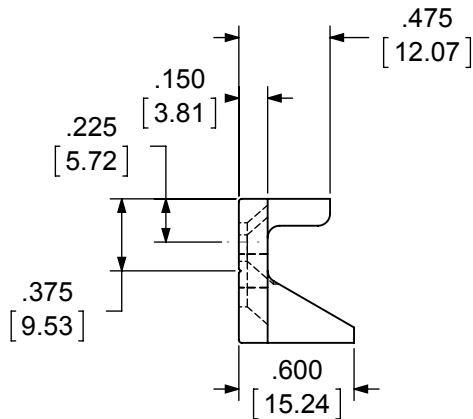
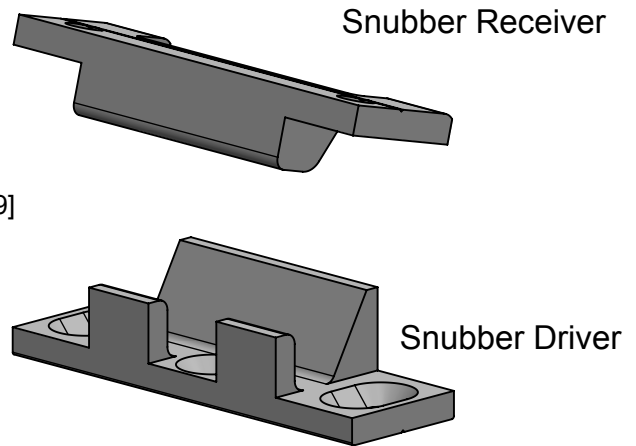
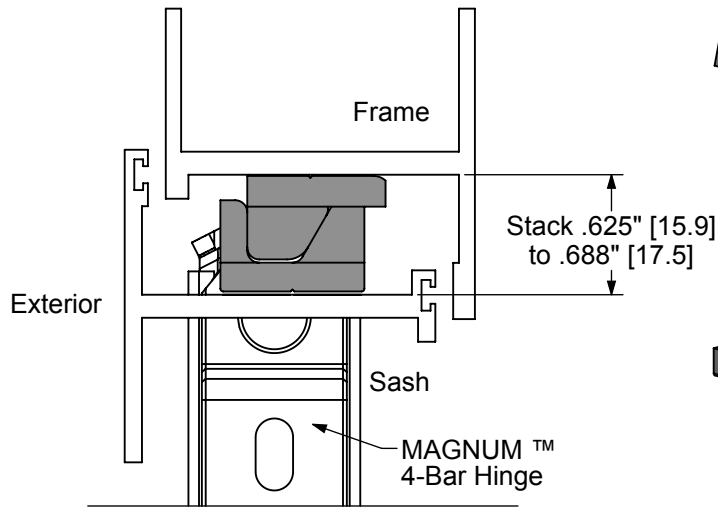
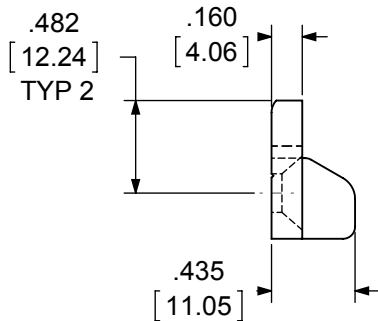
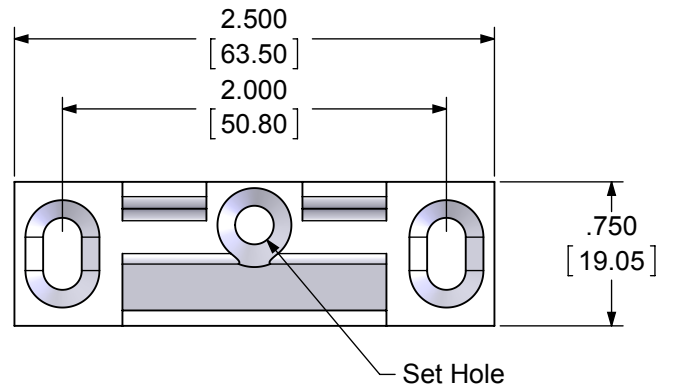


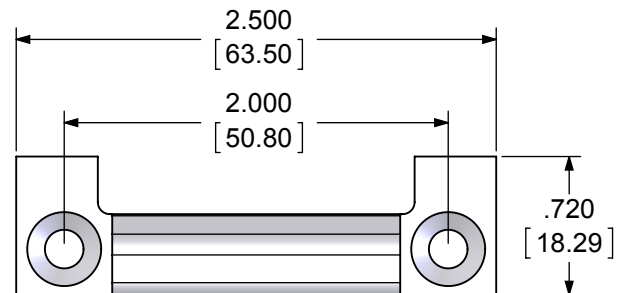
MAGNUM™ Hardware (1549-3 Snubber)



Snubber Driver



Snubber Receiver



1549-3 twc; date 1/22/2015

Mounts on the same plane as 4-bar hinges.
Positive and negative pressure containment.
#1549-3 Snubber includes driver and receiver.
Material: 6000 series aluminum with black coating.
Mount with (5) #10 flat head s/s screws (not supplied).