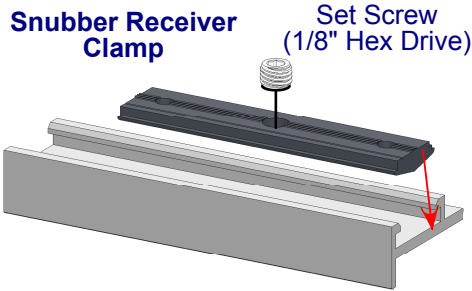


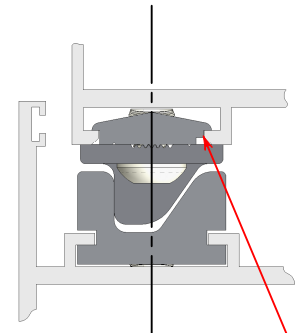
# 1678 Snubber Euro-Groove Adjustable Installation Instructions

**Install Snubber Before Hinges Or Hardware That May Block Access Points.**



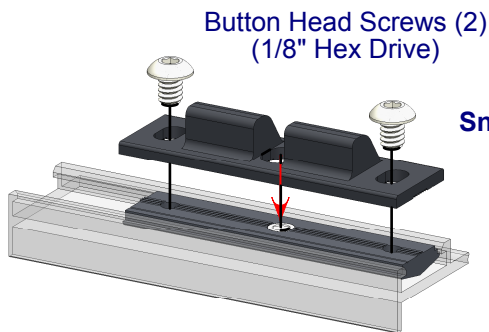
## Frame Install

- Step 1
1. Install Set Screw.
  2. Rotate Receiver Clamp Into Frame Groove with Stepped Side First.
  3. Tighten Set Screw.



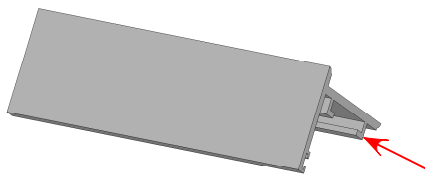
Centered

Place Stepped Side  
In Frame Groove First.



## Snubber Receiver

- Step 2
1. Place Snubber Receiver over Receiver Clamp.
  2. Position In Centered Location.
  3. Drive Button Head Screws To Lock In Place.

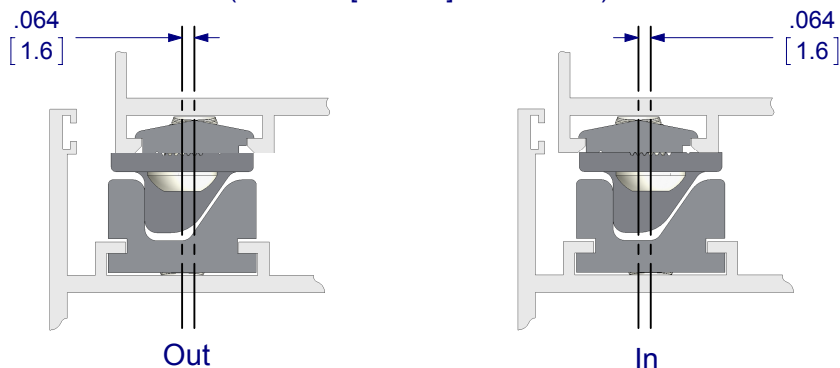


## Vent Install

**Snubber Driver**  
Set Screw  
(1/8" Hex Drive)

- Step 3
1. Slide Snubber Driver In Vent Groove and Install Set Screw 1 Turn.
  2. Center Over Snubber Receiver.
  3. Tighten Set Screw To Lock In Place.

Step 4 - Adjustment (If Required)  
Out / In Adjustment  $\pm .064$  [ $\pm 1.6$  mm]  
(In  $.032$ " [0.8 mm] Increments)



1678 Instructions twc; date 1/22/2015