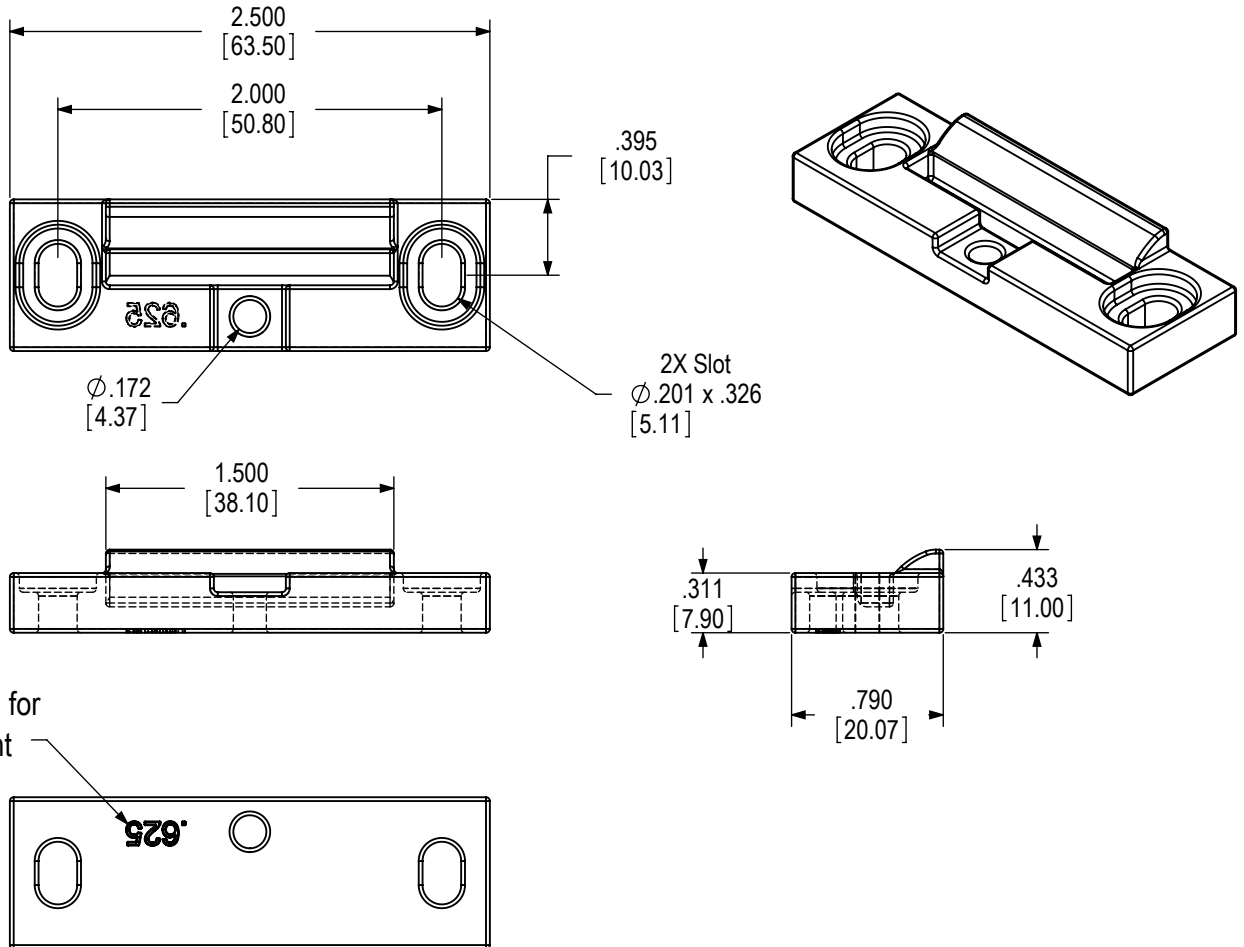


MAGNUM™ Hardware (617-625 Snubber Receiver)



Designation for Stack Height

617-625 Snubber Receiver

617-625 twc; date 1/22/2015

Material : Injection molded high impact plastic

ADVANTAGE™ MANUFACTURING
A Division of Caldwell Mfg Co

Phone: (585) 352-3790
Fax: (585) 352-3792

web: www.caldwellmfgco.com
email: CSservice@caldwellmfgco.com