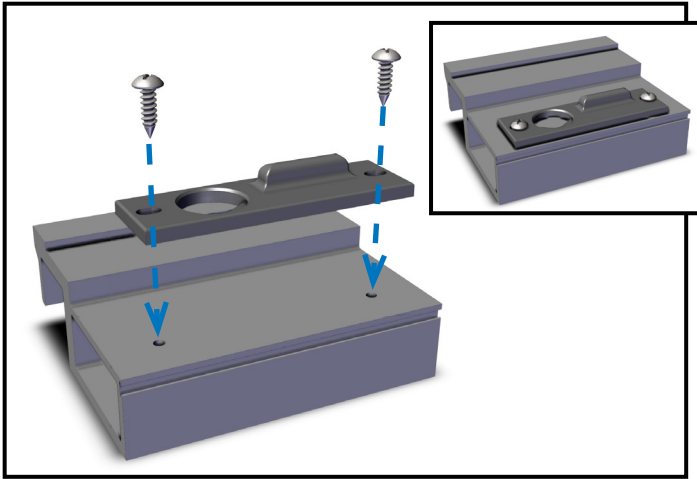




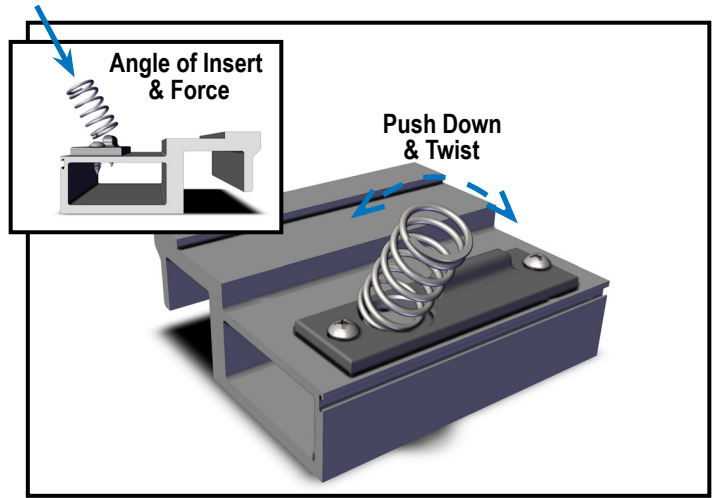
# Snubber Installation Instructions

For 20J0069 Spring Assist Snubber



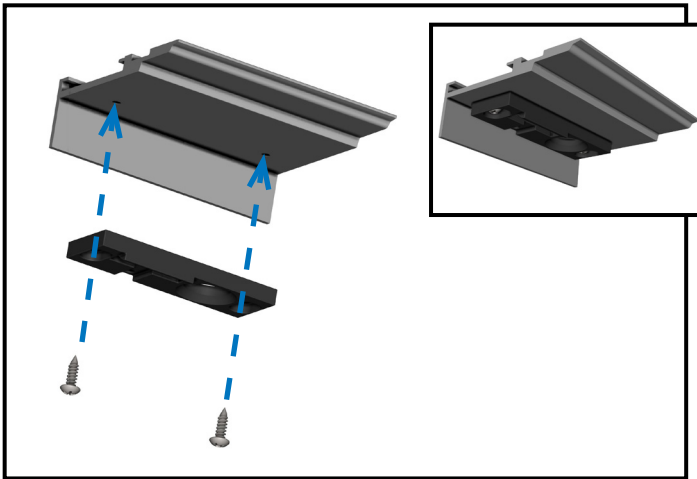
### Step 1:

Install Snubber Driver on the **Vent** into pre-fabricated holes from CO\_20J0069 as shown, using #10 pan-head screws.



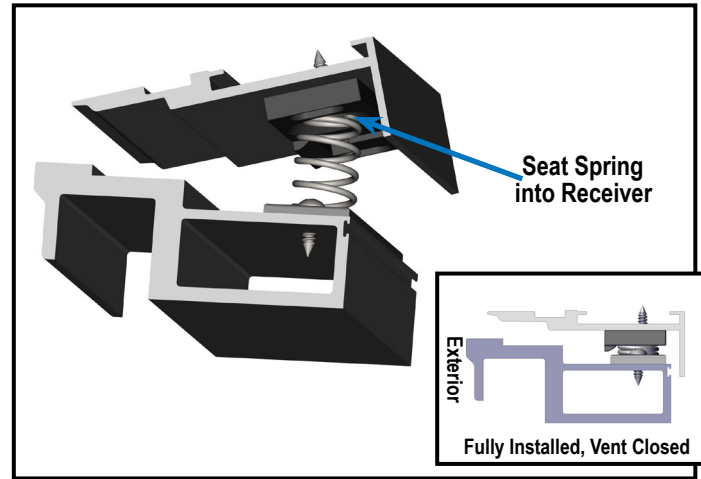
### Step 2:

With the closed end of the spring facing towards you angle the spring down, twist back and forth, and apply force to the back of the spring **until the spring engages and snaps under the Spring Retention Feature on the Snubber Driver**. Then rotate the spring counterclockwise until tight against vent.



### Step 3:

Install Snubber Receiver on the **Frame** into pre-fabricated holes as shown using #10 pan-head screws.



### Step 4:

As vent is brought closed, ensure that the spring seats into the Snubber Receiver by pushing it towards the exterior.

Make adjustments as needed and finish seating any screws that are loose.

September 6, 2019 9:30 AM

CSL-00062\_r0